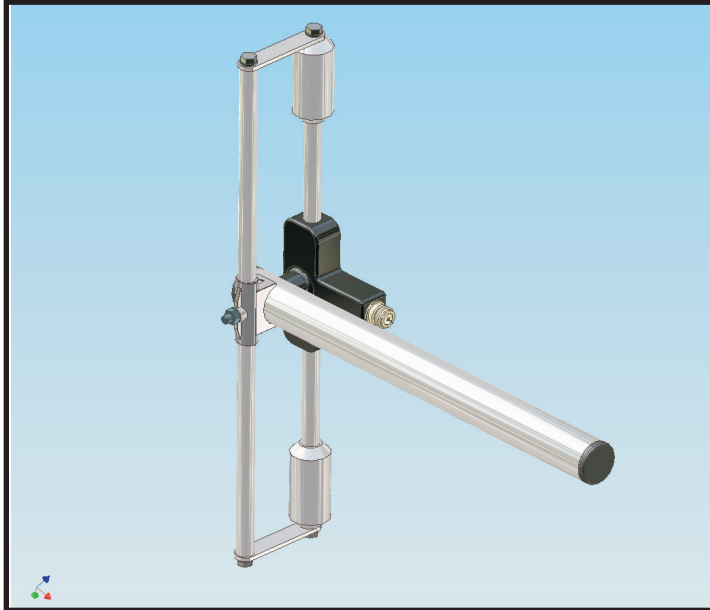
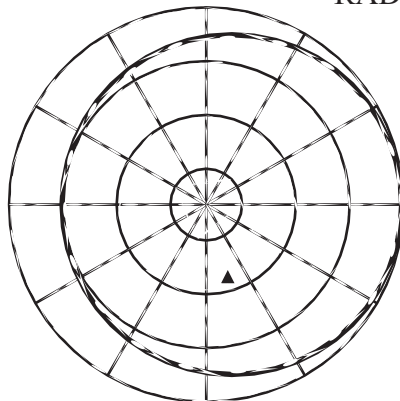
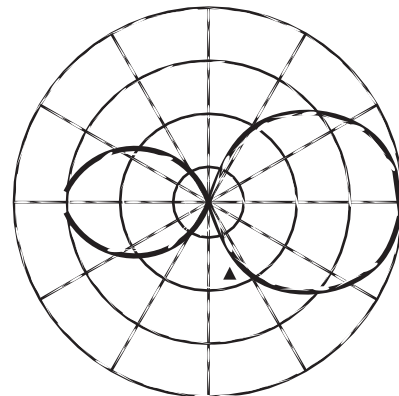


Type n° T-DY01.400/470**YAGI ANTENNA 1 ELEMENT: 400/470 MHz****TECHNICAL SPECIFICATIONS:**

Elements number:	1
Impedance (Ohms):	50
Frequency range:	400 ÷ 470 MHz
V.S.W.R.:	less than 2
Beamwidth -3 dB:	See "RADIATION CURVE"
Polarization:	Vertical or Horizontal
Connector:	N-female
Mounting:	on masts from 30 to 60 mm diam.
Gain (dBi):	3
Max power (W):	150
Wind resistance:	160 Km/Hr
Temperature (°C):	-40° - +85°
Dimensions (mm):	390 x 350
Net weight (g):	1200
Material	
Boom:	Aluminium alloy EN AW-6082
Elements:	Aluminium alloy EN AW-6060
Screws and nuts:	Stainless steel

RADIATION PATTERN:**E-PLANE****H-PLANE****V.S.W.R.**